

BROWNING^(R)
A R C H E R Y

QUALITY SINCE 1878

VERY IMPORTANT: SAVE THIS BOOKLET. CAREFULLY READ ALL INSTRUCTIONS IN THIS MANUAL BEFORE USING YOUR NEW BOW.



COMPOUND BOW

USER'S MANUAL ^(R)

WELCOME
to the
Browning ARCHERY
family

Thank you from the entire Browning Archery family for purchasing a Browning Archery bow. Your Browning Archery bow was manufactured from the finest materials available and handcrafted with pride in the USA. With proper care and use you will enjoy this product for years to come.

We at Browning Archery wish you much success in the archery field you have chosen to pursue.

Please read this entire booklet before shooting or adjusting your bow.

Remember, most adjustments to a compound bow should be made by your authorized Browning Archery dealer.

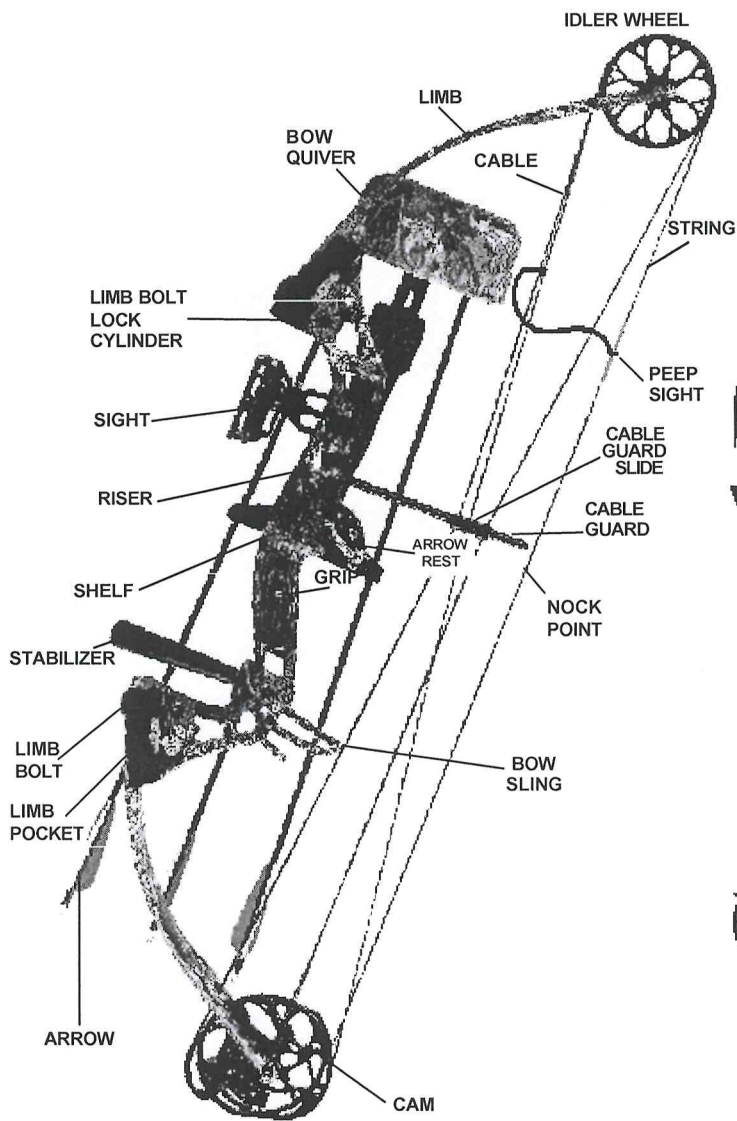
Whenever shooting a bow, be certain of your target as well as what else lies downrange.

C O N T A C T U S

1-520-838-2004
www.browning-archery.com

BROWNING ARCHERY WARRANTY REGISTRATION
P.O. Box 5507 Tucson, Arizona 85703

BOW TERMINOLOGY



Command Bow USER'S GUIDE

GENERAL OPERATING INSTRUCTIONS

- Always inspect your bow thoroughly before each shooting session to ensure that it is in good working order. Check for worn or missing components and have them replaced as required.
- Inspect your arrows to insure that they are straight, un-damaged, not cracked and that each nock is in good condition. A cracked nock can break when fired from the bow and cause the bow to "dry fire" which can cause injury to the archer and damage to the bow.
- When purchasing arrows for your bow, consult the selection chart from the arrow manufacturer and select the correct arrow for your application. Always use an arrow that meets the weight requirement marked on the specification label on the lower limb of your bow. Failure to do so could cause personal injury and damage to your bow.

BOW MAINTENANCE

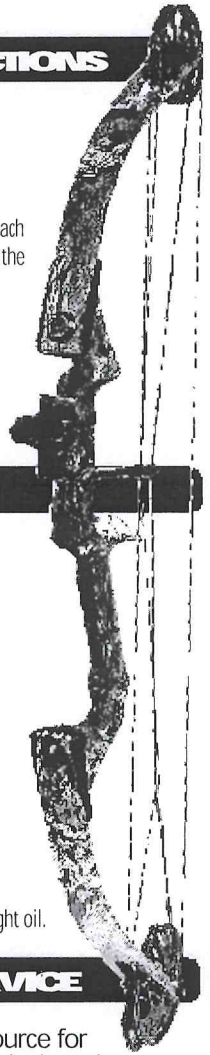
Your Browning Archery bow will give you many years of service if maintained and cared for properly.

- Keep synthetic cables and string waxed. Apply bow string wax to your synthetic cables and string before each shooting session.
- Strings and cables must be replaced periodically. A worn cable or string can suddenly break, causing serious injury to the archer and damage to the bow. It is recommended that the string and cables be replaced every 5,000 shots or 12 months, whichever comes first.
- Always store your bow in a cool dry place. High temperatures, such as those that can occur in a trunk or interior of a vehicle, can cause serious damage to your bow.
- After use in high humidity or damp conditions, wipe metal components of bow with a light oil.

BROWNING AUTHORIZED SERVICE

Your local authorized Browning Archery dealer is your best source for information and assistance. Visit them for these and other typical services.

- Adjusting draw length and draw weight
- Correct arrow selection
- Cleaning and lubrication
- Replacing / servicing strings and cables
- Mounting new accessories
- Adjusting tiller
- All aspects of bow tuning



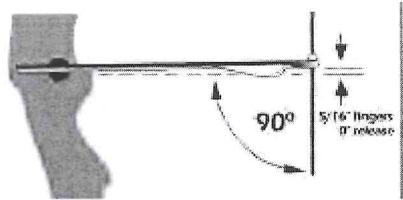
SAFETY

As with any weapon, safe operation of your Browning Archery bow must always be the highest priority. ALWAYS WEAR SAFETY GLASSES WHEN HANDLING A BOW. Do not attempt to use your bow without proper instruction. Doing so can result in serious injury.

- a. Never "dry-fire" any bow. Dry-fire is to draw and release the bowstring without an arrow in the bow. Dry-firing will likely cause damage to the bow and serious injury to the archer.
- b. Always be sure of your intended target, as well as what lies behind the target area. An arrow can travel a considerable distance, so it is important to have a safe and sound backstop.
- c. If you draw a bow and need to let it down, do so in a slow and careful manner. Keep your support arm straight and prepare for a rapid and aggressive let-down as the bow returns to peak weight. Avoid hitting your hand on protruding accessories such as the cable guard or quiver. Keep your head and face back and out of the string path during let-down. Never draw a bow with a peak weight above your comfort level. Always use a bow sling when drawing and shooting a bow.
- d. Never modify any part of the bow or its components by drilling extra holes or removing material. This voids the warranty and presents safety problems.

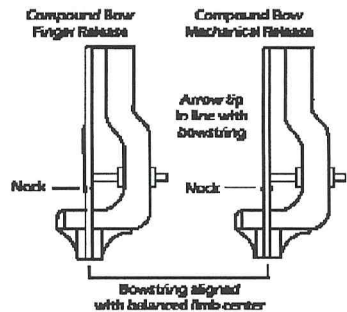
SETTING UP YOUR BOW

Nocking Point Placement: Finger shooters: For the initial setting, install the nocking point on the bowstring approximately 5/16" plus the arrow width above a point where a horizontal line from the rest intersects the string.



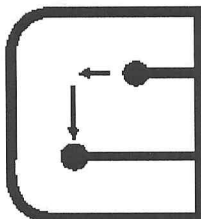
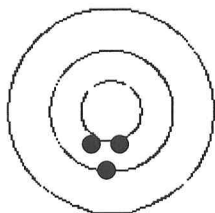
Release Aid Shooters: Install the nocking point the width of the arrow above a point where a horizontal line from the rest intersects the string. When the arrow is in position on the rest, the arrow nock should fit snug against the bottom of the nocking point.

Arrowrest Adjustment: The in/out position of the arrowrest should be adjusted so that the arrow is in alignment with the string when shooting with a release aid. The arrow tip should be one-half shaft diameter to a full shaft to the left on a right-handed bow, (opposite for left-handed) when shooting with fingers.



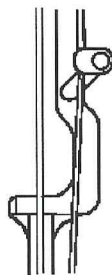
SETTING UP YOUR BOW

Sight Adjustment: When adjusting the sight pin locations, always remember to "follow the group". That is, if the shot group is to the left of the target, move the sight pins to the left. If the shot group is low, move the sight pins down.

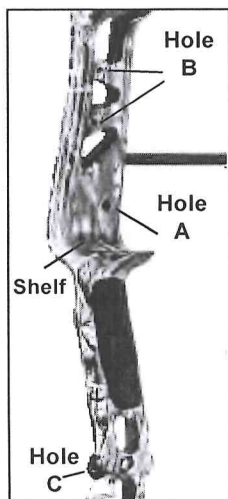


Cable Guard Adjustment:

The purpose of a cable guard is to hold the cables out of the path of the arrow. Many Browning Archery bows have a non-adjustable cable guard. When adjusting the angle of an adjustable cable guard, adjust it so the cables just clear the arrow vanes. Excessive arrow clearance may cause the cables to track incorrectly on the wheels and cause serious personal injury and/or damage to the bow. Always adjust the cable guard with the rod in the up position (approximately 1 o'clock for a right-handed bow).



INSTALLATION OF ACCESSORIES



Arrowrest/Overdraw: The arrowrest or overdraw should be installed according to the instructions received with the product. It is usually mounted to the riser in the threaded hole on the side opposite the shelf (hole "A") using the hardware provided with the arrowrest or overdraw.

Sight: The sight should be installed according to the instructions received with the product. It is usually mounted to the riser in the threaded holes (holes "B") on the side opposite the shelf using the hardware provided with the sight.

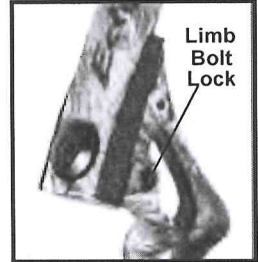
Stabilizer: Likewise, the stabilizer should be mounted according to the manufacturer's recommendation. It is usually mounted in the threaded hole on the front of the riser (hole "C").

Bow Sling: The bow sling attaches to the riser of the bow generally with the stabilizer. If a stabilizer is not used, attach the sling to the riser with the correct sized bolt using the hole provided for the stabilizer (hole "C").

OTHER ADJUSTMENTS

Draw Weight: Your bow is factory-set to the middle of the draw weight range indicated on the label on the lower limb of the bow. Slight changes in draw weight can be obtained by turning the limb bolt in or out. Before making any changes in weight, turn the limb bolt clockwise until it no longer moves.

This adjusts the limb to its maximum weight setting. Never use extreme torque when turning the bolt or damage to the limb may occur. The limb bolt then may be turned counterclockwise to obtain the desired weight, but NEVER more than 6 turns or revolutions out from the bottomed position. Adjust each limb exactly the same. If the bow has a limb bolt lock, you will need to loosen the lock screw before making any adjustments.

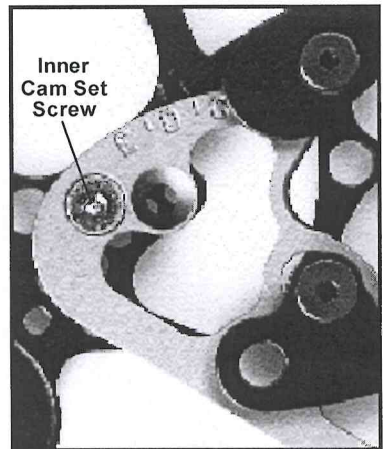


Wheels/Cams: All Browning Archery wheels and cams have adjustable features. Each one comes from the factory set-up and ready to use, but there may be occasions where you need to adjust the draw-length setting of your bow. If you are not sure of the adjustment you are making, stop and see your Browning Archery dealer for assistance.

Your authorized Browning Archery dealer is supplied with technical information on Browning Archery bows and cams. Please see your dealer for assistance when making these adjustments.

CAM ADJUSTMENTS

Cam Adjustments: All Browning Archery cams use the patented Inner Cam System. This system allows draw length adjustments to be made in $\frac{1}{2}$ " increments on advanced bows and 1" increments on entry level bows over a prescribed range without putting the bow in a bowpress. In all cases, the "A" setting is the longest draw length for that bow and draw lengths get shorter in 1" increments as you progress up the alphabet (A to B, B to C, etc.). Setting the cam to the hash mark between letters makes a $\frac{1}{2}$ " adjustment. When adjusting draw length on a two-cam bow, make sure the top and bottom cams are always set the same.



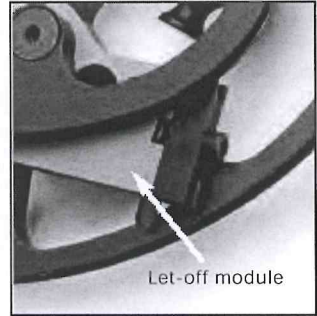
WARNING:

Tighten the inner cam set-screw before shooting your bow!

(Cam Adjustments continued next page)

CAM ADJUSTMENTS (continued)

At the bottom or end of the inner cam on the Cyber 5 cam is a small rectangular block with a socket screw in the middle. This is the let-off module. At one end is the number "65". If this figure or indicator is toward the outside of the cam, and aligned with the string groove, the bow is set at the lowest let-off. If the number "65" is inside or opposite the string groove, the bow is set for the greatest let-off. By loosening the screw and turning the block 180 degrees, the let-off can be changed.



BROWNING ARCHERY PATENT NUMBERS:

Des. 429,309 4,489,705 4,686,955 4,784,962 B1 4,748,962 4,774,927 4,909,231 5,020,507
B1 5,020,507 5,054,462 5,190,022 5,479,712 5,495,843 5,678,529 5,762,060
5,914,775 5,960,778 6,112,732 6,360,735

© B R O W N I N G A R C H E R Y

Browning Archery assumes no responsibility for spelling, grammatical or technical errors in this booklet. Browning Archery reserves the right to change, alter or modify any specifications or details of the product line without notice.

No portion of this book may be reproduced without the express written consent of the Browning Archery Marketing Department.

IMPORTANT Warranty Registration

THIS FORM MUST BE RECEIVED BY BROWNING
ARCHERY **WITHIN 30 DAYS OF PURCHASE**
TO ACTIVATE WARRANTY.

SERIAL # OF BOW _____

BOW MODEL _____

YOUR NAME _____

ADDRESS _____

CITY _____ STATE _____ ZIP _____

COUNTRY _____ POSTAL CODE _____

EMAIL ADDRESS _____ WHERE PURCHASED _____

DATE PURCHASED ____ / ____ / ____ PHONE (____) _____

CUT OUT AND MAIL THIS FORM TO:
BROWNING ARCHERY WARRANTY REGISTRATION
P.O. Box 5507
Tucson, Arizona 85703



Get the latest
INFORMATION on
Browning Archery
products



YOUR ONLINE SOURCE TO THE
WORLD OF BROWNING ARCHERY
BOWS AND ACCESSORIES!

www.browning-archery.com

BROWNING ARCHERY PROUDLY USES
MOSSY OAK BREAKUP™ CAMO



YOUR Purchase Record

KEEP YOUR RECEIPT AND BOW INFORMATION HERE
IN CASE OF FIRE, THEFT OR WARRANTY REPAIR.

SERIAL # OF BOW _____

BOW MODEL _____

YOUR NAME _____

ADDRESS _____

CITY _____ STATE _____ ZIP _____

COUNTRY _____ POSTAL CODE _____

EMAIL ADDRESS _____ WHERE PURCHASED _____

DATE PURCHASED ____ / ____ / ____ PHONE (____) _____

**ATTACH ORIGINAL
RECEIPT HERE**

NOTE: ***DO NOT*** SEND THIS PAGE WITH YOUR
ORIGINAL RECEIPT INTO BROWNING ARCHERY
WARRANTY. THIS PAGE IS FOR YOUR RECORDS ONLY.

Statement of Warranty

Limited Conditions

of Product Warranty

BROWNING BOWS:

- a) Any metal component carry a 100% warranty against manufacturer's defects to the original owner.
- b) Limbs, polycarbonate and nylon wheels/cams, grips or other bow components will be covered 100% for five years. After the fifth year, any defective part will be replaced at 50% of replacement cost.
- c) Strings and buss cables are not covered under this warranty.

Strings and cables will be inspected for wear and replaced, if necessary, on all bows returned to Browning Archery for warranty service. A minimal charge will be assessed for all bows returned to Browning Archery for warranty service. Evidence of abuse, mishandling, or alteration to any Browning Archery product voids any claim to warranty. Browning Archery cannot be held responsible for injury or product failure resulting from improper use, neglect or failure to follow Browning Archery prescribed maintenance schedules.

Browning Archery recommends that all bows undergo string and cable changes every 5,000 shots or every twelve months (whichever comes first) to maintain Browning Archery warranty coverage. Total arrow weight must be a minimum of five grains per pound of bow peak draw weight. Over stressing Browning Archery compound bows by using arrows lighter than the five grain minimum will void warranty and may cause damage to the bow and possible injury to the shooter. Browning Archery makes no other claims of warranty either expressed or implied. In the interest of product improvement and consumer safety, Browning Archery reserves the right to make changes in product design, color, and specifications without notice. In the event product needs to be returned to Browning Archery please contact Browning Archery Customer Service for a Return Authorization Number and shipping instructions. Please send accompanying documentation, such as dated sales receipt showing the purchase date of the product. If no documentation is received, Browning Archery will utilize the serial number to determine warranty status.

BROWNING ACCESSORIES:

Browning Archery sights (excluding sight pins), bow quivers (excluding hood liner), and arrowrests carry a 100% warranty for five years to the original owner. *Warranty work must be performed by Browning Archery or an authorized Browning Archery dealer.*

Contact Browning Archery at 1-520-838-2004 prior to returning your bow for service or warranty work to obtain a "Return Authorization Number".